

PRB 126



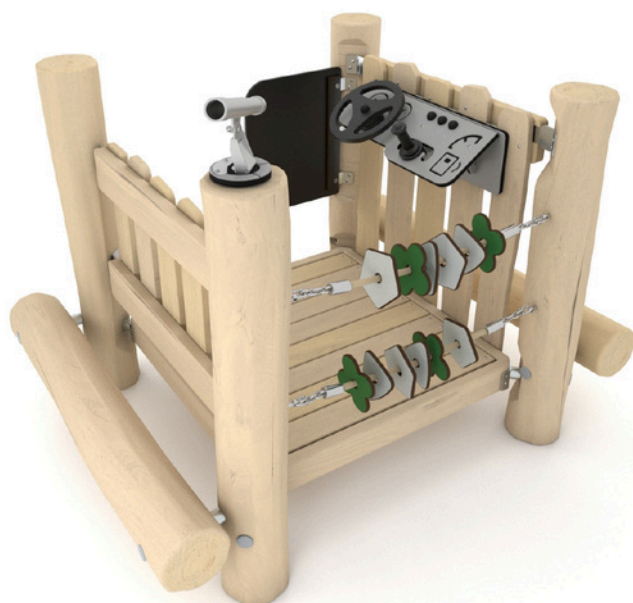
1+



10 kids



18,3 m²



Material specification

- Construction made of Robinia - very durable acacia wood with a diameter of ~ 18 cm without sharp edges, resistant to weather conditions,
- Platforms made of Robinia - very durable acacia wood, resistant to weather conditions,
- Side panels made of Robinia - very durable acacia wood without sharp edges, resistant to weather conditions
- Rubber door with textile reinforcement,
- Moving elements made of durable HPL plate, resistant to weather conditions,
- Telescope made of stainless steel and durable HDPE plate, resistant to weather conditions,
- Dashboard and steering wheel made of durable HDPE plate, resistant to weather conditions,
- Steel ropes in polypropylene braid, connected with durable plastic elements, stainless steel or aluminum,
- Calibrated stainless steel chains, preventing fingers entrapment,
- Screws covered with plastic caps and/or stainless steel screws,



Facilitating disability



easy access



integration



Intellectual development



manipulation



sight



Physical development



rest

KUCE RAKICA BR7
TUŽI / MONTENEGRO

+382 69 226 334
+382 69 226 337
+382 67 190 090

INFO@PARKWORLD MNE.COM
OFFICE@PARKWORLD MNE.COM



3

number of interactive elements

Product technical sheet

PRB 126

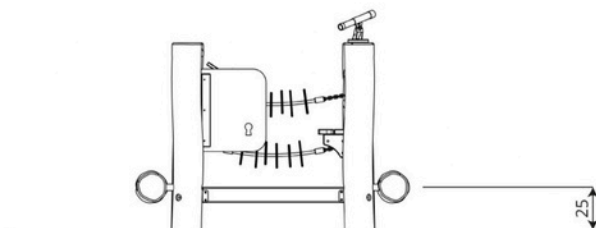
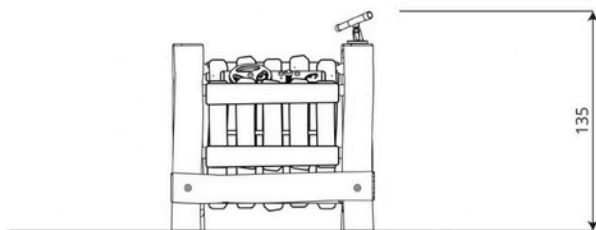
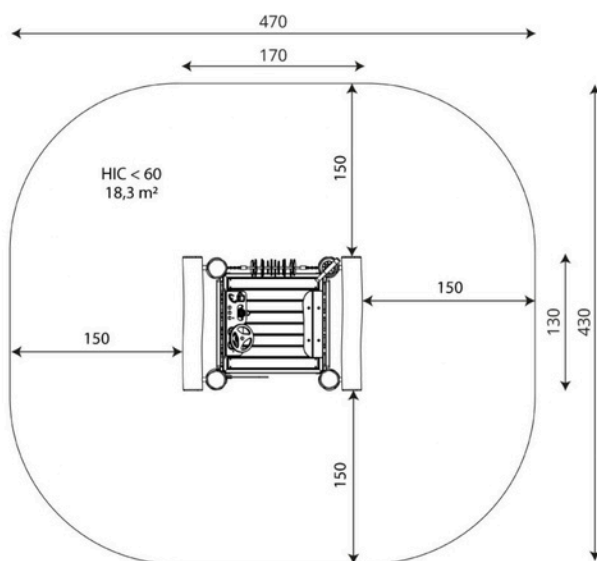
Product data

Length	170 cm
Width	130 cm
Total height	135 cm
Age group	1+ years
Number of users	10 kids
Safety zone	18,3 m ²
Free fall height	<60 cm
The height of the platforms	25 cm
In accordance with norm EN	1176-1:2017
Weight of the heaviest part	37 kg
Dimensions of the largest part	160x18x18 cm
Availability of spare parts	YES
Installation time	2,0 h

Data is subject to change without prior notice.

Additional information

- equipment adapted for the disabled; intended for public playgrounds;
- equipment has a certificate issued by an accredited entity or a declaration of conformity;
- no sharp edges or chinks that would pose a danger of jamming the head, fingers or any other body parts;
- anchoring on flat surface, 80/70/60 cm deep;
- render is for reference only, the actual appearance of the equipment and its color may vary;



KUCE RAKICA BR7
TUŽI / MONTENEGRO

+382 69 226 334
+382 69 226 337
+382 67 190 090

INFO@PARKWORLD MNE.COM
OFFICE@PARKWORLD MNE.COM

PRB 126

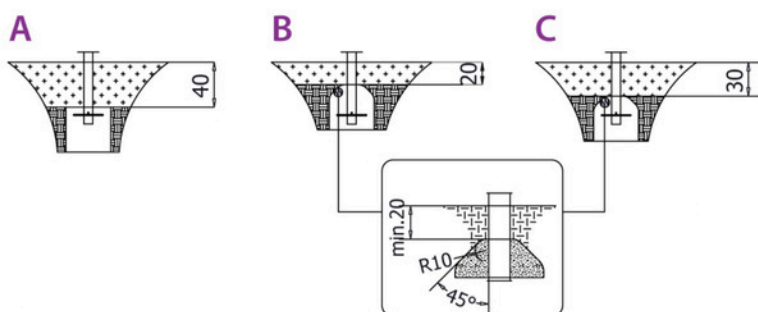
Surfaces according to EN 1176-1:2017

	Description (mm)	Layer thickness (cm)	Maximum fall heights (cm)
Turf/ top layer of soil (A,B,C)	-	-	≤100
bark (A,C)	Particle size from 20 to 80	30	≤200
		40	≤300
woodchips (A,C)	Particle size from 5 to 30	30	≤200
		40	≤300
sand or gravel (A,C)	Particle size from 0,25 to 8	30	≤200
		40	≤300
synthetic attested (A,B,C)	Tested according to EN 1177		60

Amount of safe surface corresponding with free fall height:

HIC <60 18,3 m²

Data is subject to change without prior notice.



**KUCE RAKICA BR7
TUZI / MONTENEGRO**

+382 69 226 334
+382 69 226 337
+382 67 190 090

INFO@PARKWORLD MNE.COM
OFFICE@PARKWORLD MNE.COM