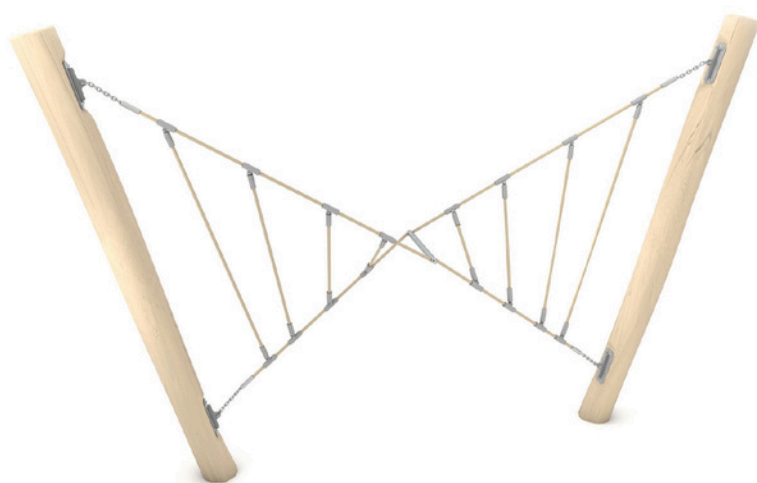


Product technical sheet

# PRB 158



3 - 14 years



10 kids



20,6 m<sup>2</sup>

## Material specification

- Construction made of Robinia - very durable acacia wood with a diameter of ~ 18 cm without sharp edges, resistant to weather conditions,
- Steel ropes in polypropylene braid, connected with durable aluminum, stainless steel and/or plastic elements,
- Calibrated stainless steel chains, preventing fingers entrapment,
- Stainless steel screws,



### Physical development



balance



passage



climbing

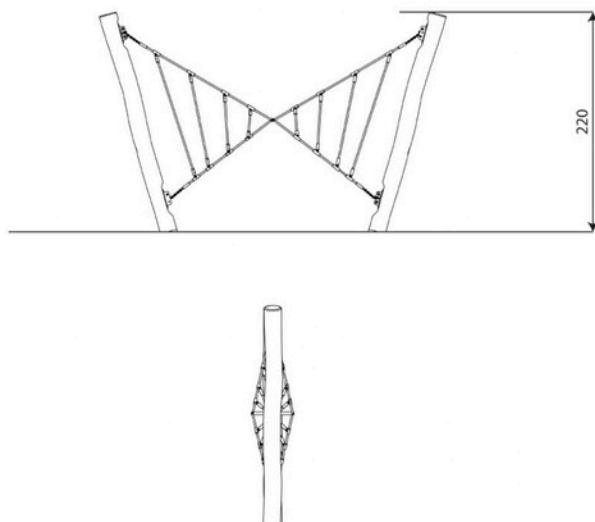
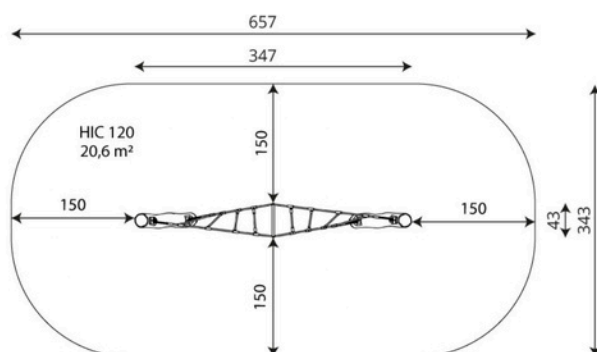
KUCE RAKICA BR7  
TUŽI / MONTENEGRO

+382 69 226 334  
+382 69 226 337  
+382 67 190 090

INFO@PARKWORLD MNE.COM  
OFFICE@PARKWORLD MNE.COM



**1**  
number of activity elements



## Product technical sheet

# PRB 158

### Product data

Length	347 cm
Width	43 cm
Total height	220 cm
Age group	3 - 14 years
Number of users	10 kids
Safety zone	20,6 m <sup>2</sup>
Free fall height	120 cm
In accordance with norm EN	1176-1:2017
Weight of the heaviest part	76 kg
Dimensions of the largest part	330x18x18 cm
Availability of spare parts	YES
Installation time	1,0 h

Data is subject to change without prior notice.

### Additional information

- equipment intended for public playgrounds;
- equipment has a certificate issued by an accredited entity or a declaration of conformity;
- no sharp edges or chinks that would pose a danger of jamming the head, fingers or any other body parts;
- anchoring on flat surface, 100 cm deep;
- render is for reference only, the actual appearance of the equipment and its color may vary;

KUCE RAKICA BR7  
TUŽI / MONTENEGRO

+382 69 226 334  
+382 69 226 337  
+382 67 190 090

INFO@PARKWORLD MNE.COM  
OFFICE@PARKWORLD MNE.COM

# PRB 158

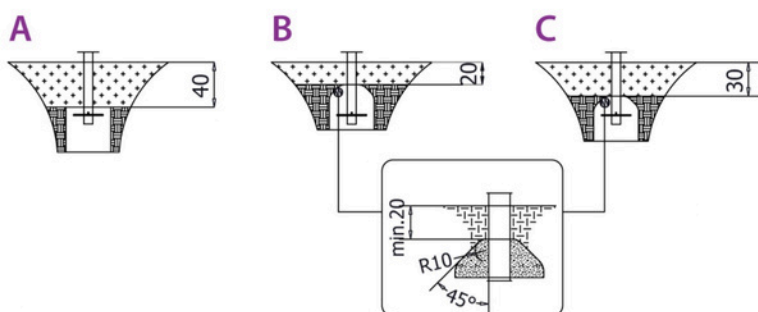
## Surfaces according to EN 1176-1:2017

	Description (mm)	Layer thickness (cm)	Maximum fall heights (cm)
Turf/ top layer of soil (A,B,C)	-	-	≤100
bark (A,C)	Particle size from 20 to 80	30	≤200
		40	≤300
woodchips (A,C)	Particle size from 5 to 30	30	≤200
		40	≤300
sand or gravel (A,C)	Particle size from 0,25 to 8	30	≤200
		40	≤300
synthetic attested (A,B,C)	Tested according to EN 1177		120

### Amount of safe surface corresponding with free fall height:

HIC 120 20,6 m<sup>2</sup>

Data is subject to change without prior notice.



KUCE RAKICA BR7  
TUŽI / MONTENEGRO

+382 69 226 334  
+382 69 226 337  
+382 67 190 090

INFO@PARKWORLD MNE.COM  
OFFICE@PARKWORLD MNE.COM