

PRB 177



3+



4 kids



15,9 m²



Material specification

- Construction made of Robinia - very durable acacia wood with a diameter of ~ 22 cm without sharp edges, resistant to weather conditions,
- Powder galvanized and powder coated steel construction,
- Seats/backrests made of Robinia - very durable acacia wood without sharp edges, resistant to weather conditions,
- Steel springs 20 mm, iron phosphorated and powder coated,
- Handles made of stainless steel,
- Handles made of steel rope in polypropylene braid,
- Screws covered with plastic caps and/or stainless steel screws,



Physical development

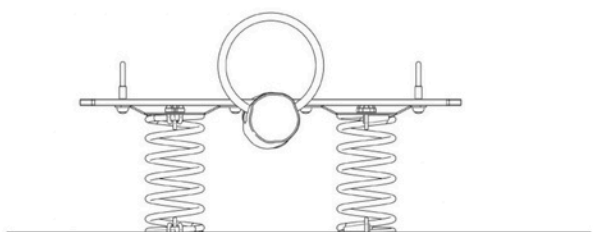
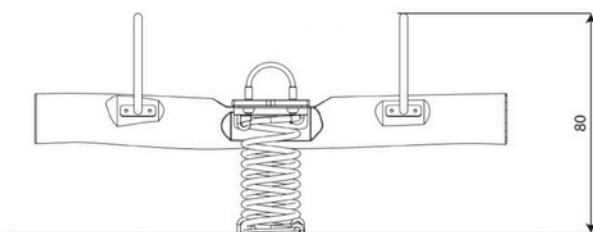
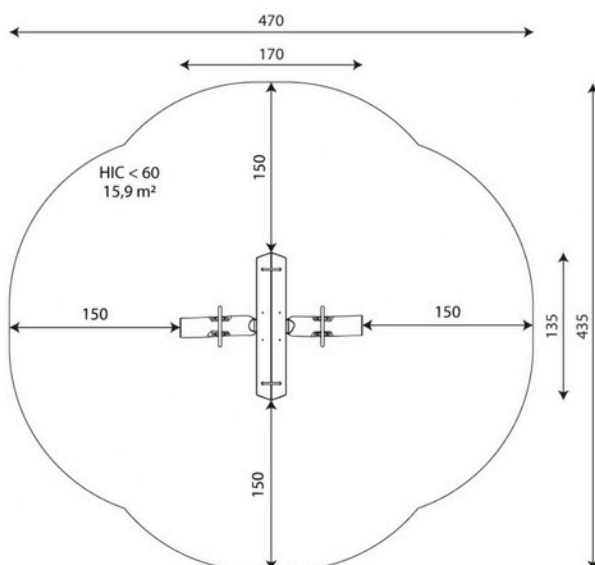


rocking

KUCE RAKICA BR7
TUŽI / MONTENEGRO

+382 69 226 334
+382 69 226 337
+382 67 190 090

INFO@PARKWORLD MNE.COM
OFFICE@PARKWORLD MNE.COM



Product technical sheet

PRB 177

Product data

Length	170 cm
Width	135 cm
Total height	80 cm
Age group	3+ years
Number of users	4 kids
Safety zone	15,9 m ²
Free fall height	<60 cm
In accordance with norm EN	1176-1:2017
Weight of the heaviest part	22 kg
Dimensions of the largest part	95x22x22 cm
Availability of spare parts	YES
Installation time	1,0 h

Data is subject to change without prior notice.

Additional information

- equipment intended for public playgrounds;
- equipment has a certificate issued by an accredited entity or a declaration of conformity;
- no sharp edges or chinks that would pose a danger of jamming the head, fingers or any other body parts;
- anchoring on flat surface, 80/70/60 cm deep;
- render is for reference only, the actual appearance of the equipment and its color may vary;

Guarantee

30

30 year guarantee - Structural strength of steel and stainless steel components

15

15 year guarantee - Structural failure of steel and stainless steel, for dynamic equipment

10

10 year guarantee - Structural failure of high density polyethylene and high pressure laminates components

5

5 year guarantee - Corrosion of stainless steel and hot dip galvanized and powder coated components; against bark beetles and rot in case of wooden structural elements

Detailed information in the guarantee card

KUCE RAKICA BR7
TUŽI / MONTENEGRO

+382 69 226 334
+382 69 226 337
+382 67 190 090

INFO@PARKWORLD MNE.COM
OFFICE@PARKWORLD MNE.COM

PRB 177

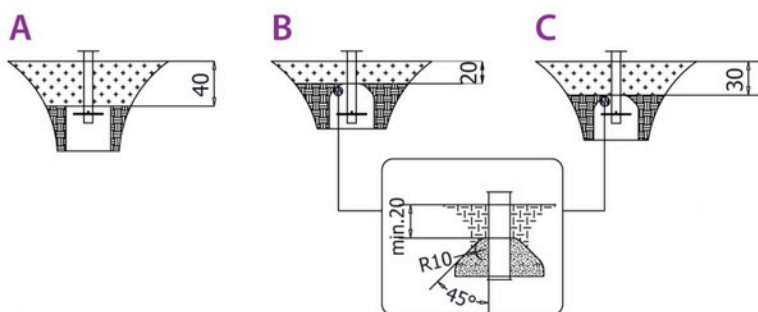
Surfaces according to EN 1176-1:2017

	Description (mm)	Layer thickness (cm)	Maximum fall heights (cm)
Turf/ top layer of soil (A,B,C)	-	-	≤100
bark (A,C)	Particle size from 20 to 80	30	≤200
		40	≤300
woodchips (A,C)	Particle size from 5 to 30	30	≤200
		40	≤300
sand or gravel (A,C)	Particle size from 0,25 to 8	30	≤200
		40	≤300
synthetic attested (A,B,C)	Tested according to EN 1177		<60

Amount of safe surface corresponding with free fall height:

HIC <60 15,9 m²

Data is subject to change without prior notice.



KUCE RAKICA BR7
TUZI / MONTENEGRO

+382 69 226 334
+382 69 226 337
+382 67 190 090

INFO@PARKWORLD MNE.COM
OFFICE@PARKWORLD MNE.COM