

## Product technical sheet

# PRB 213



14+



< 140 kg

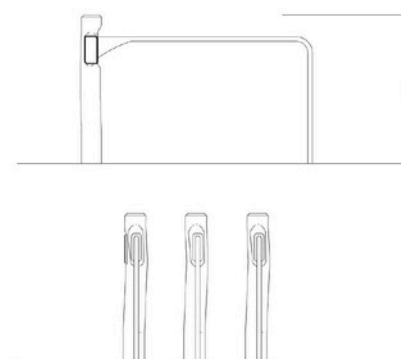
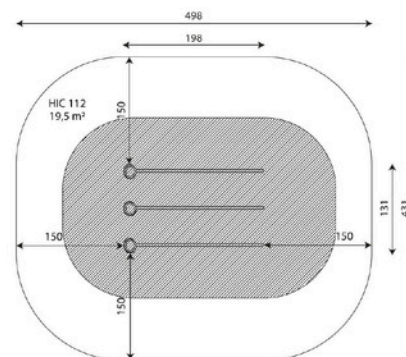


19,5 m<sup>2</sup>

### Product data

Length	198 cm
Width	131 cm
Total height	130 cm
Age group	14+ years
Maximum weight of user	140 kg
Safety zone	19,5 m <sup>2</sup>
Free fall height	112 cm
In accordance with norm EN	16630:2015
Weight of the heaviest part	49 kg
Dimensions of the largest part	182x4x112 cm
Availability of spare parts	YES
Installation time	2,5 h

Data is subject to change without prior notice.



KUCE RAKICA BR7  
TUŽI / MONTENEGRO

+382 69 226 334  
+382 69 226 337  
+382 67 190 090

INFO@PARKWORLD MNE.COM  
OFFICE@PARKWORLD MNE.COM

## Material specification



Construction made of Robinia - very durable acacia wood with a diameter of ~ 18 cm without sharp edges, resistant to weather conditions,



Stainless steel screws and/or screws covered with plastic caps,



Aluminum exercise instructions plate screwed to HDPE plate, resistant to weather conditions,



Stainless steel bars with a diameter of 38 mm for a comfortable grip during exercises.

## Additional information

- equipment adapted for the disabled; device intended for public outdoor gyms;
- equipment has a certificate issued by an accredited entity or a declaration of conformity;
- no sharp edges or chinks that would pose a danger of jamming the head, fingers or any other body parts;
- anchoring on flat surface, 80 cm deep;
- render is for reference only, the actual appearance of the equipment and its color may vary;

KUCE RAKICA BR7  
TUZI / MONTENEGRO

+382 69 226 334  
+382 69 226 337  
+382 67 190 090

INFO@PARKWORLD.MNE.COM  
OFFICE@PARKWORLD.MNE.COM

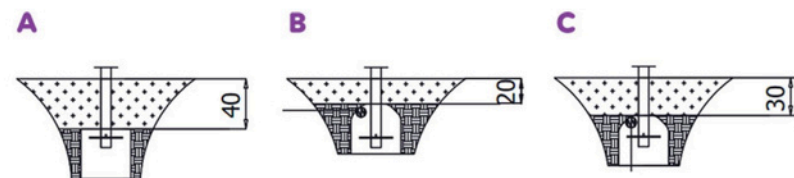
## Amount of safe surface corresponding with free fall height:

HIC 112 19,5 m<sup>2</sup>

Data is subject to change without prior notice.

## Surfaces according to EN 16630:2015

	Description (mm)	Layer thickness (cm)	Maximum fall height (cm)
Concrete / stone / bituminous surfaces (A, B, C)	-	-	≤100
outer soil layer (A,B,C)	-	-	≤120
Turf (A,B,C)	-	-	≤150
bark (A,C)	Particle size from 20 to 80	30	≤200
		40	≤300
wood shavings/cuttings (A, C)	Particle size from 5 to 30	30	≤200
		40	≤300
sand (A,C)	Particle size from 0,2 to 2 mm	30	≤200
		40	≤300
gravel (A,C)	Particle size from 2 to 8	30	≤200
		40	≤300
attested synthetic (A, B, C)	Tested according to EN 1177		112



**KUCE RAKICA BR7**  
**TUZI / MONTENEGRO**

+382 69 226 334  
+382 69 226 337  
+382 67 190 090

[INFO@PARKWORLD.MNE.COM](mailto:INFO@PARKWORLD.MNE.COM)  
[OFFICE@PARKWORLD.MNE.COM](mailto:OFFICE@PARKWORLD.MNE.COM)